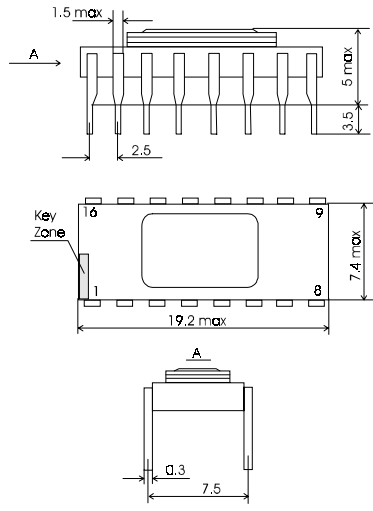
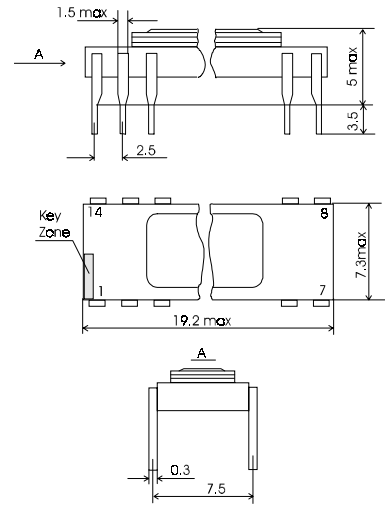


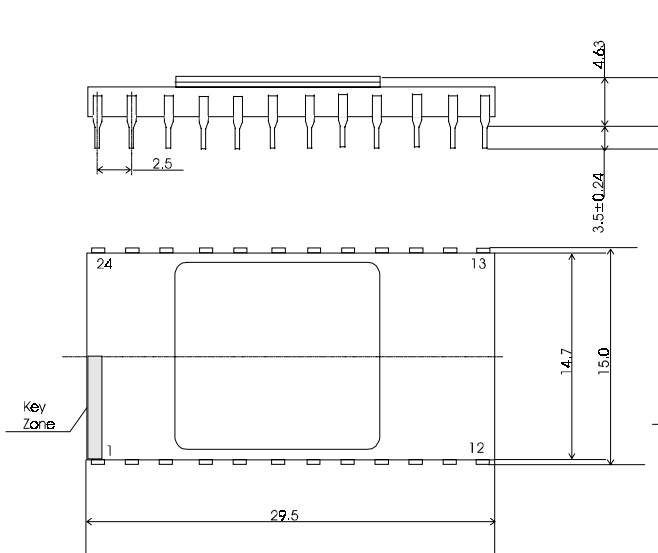
238.18-1(18-pin CerDIP)



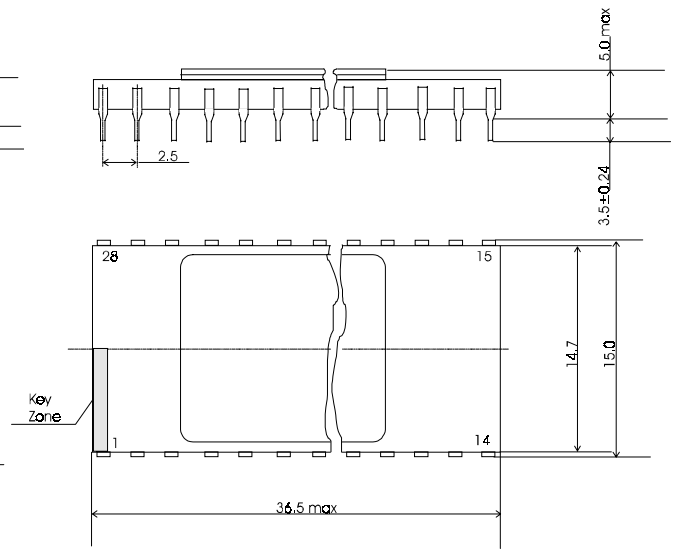
201.16-15(16-pin CerDIP)



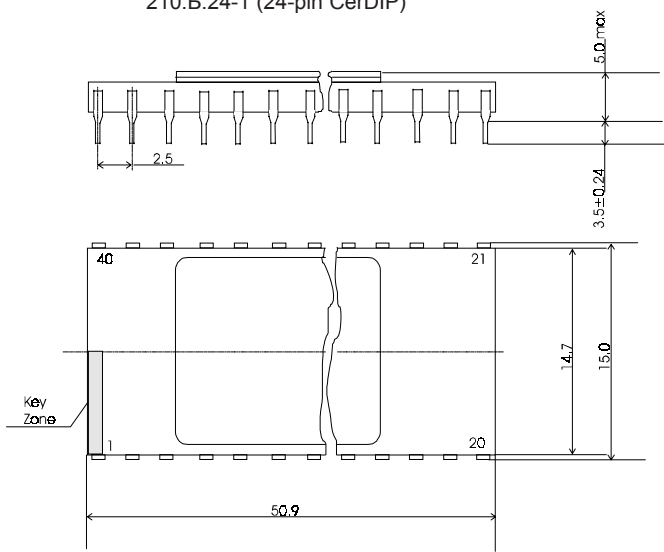
201.14-10.01(14-pin CerDIP)



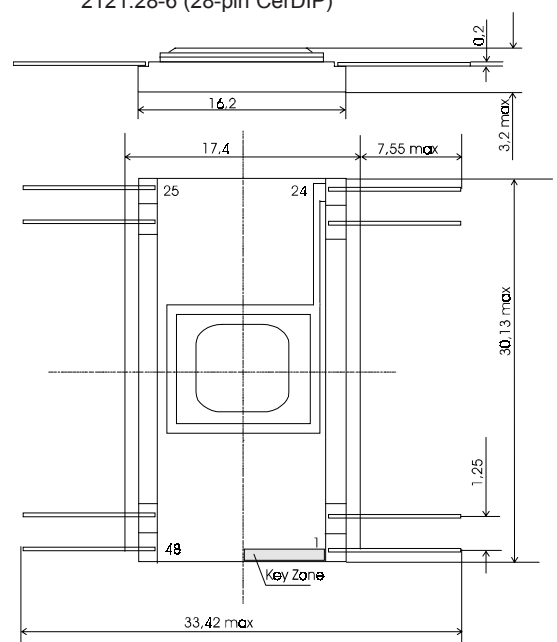
210.5.24-1 (24-pin CerDIP)



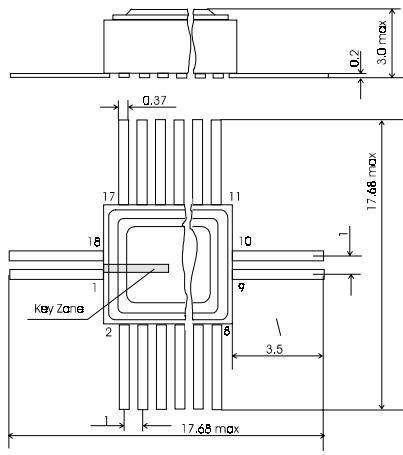
2121.28-6 (28-pin CerDIP)



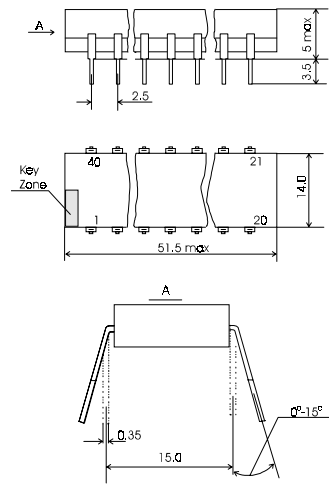
2123.40-6(40-pin CerDIP)



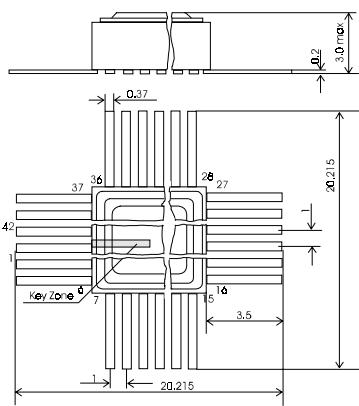
4134.48-2(48-pin Cer Flatpack)



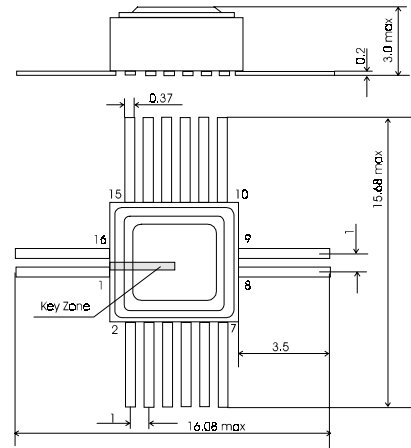
H09.18-1B (18-pin QFP)



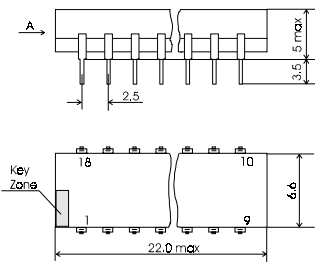
2123.40-2(40-pin Plastic DIP)



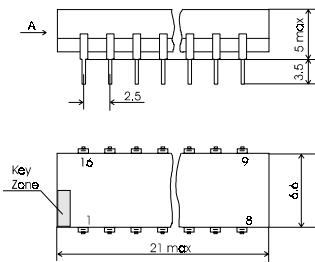
H14.42-2B(42-pin QFP)



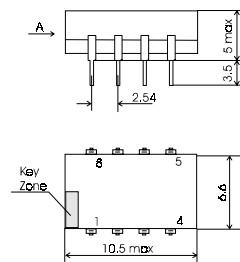
H04.16-1B (16-pin QFP)



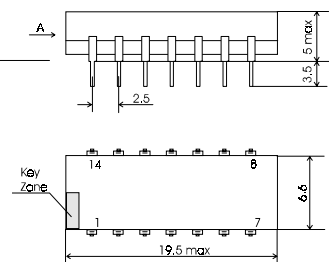
238.18-3 (18-pin Plastic DIP)



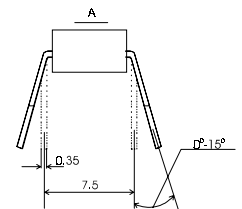
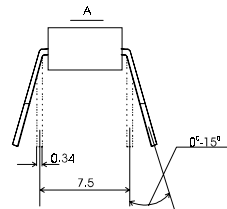
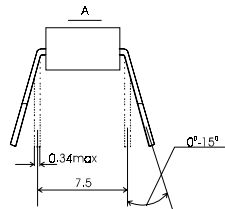
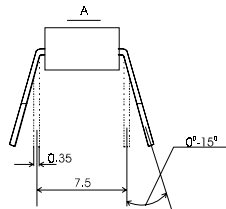
238.16-1(16-pin Plastic DIP)

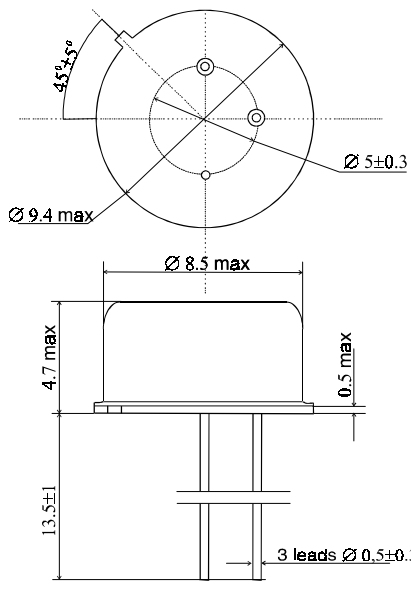


2101.8-1(8-pin plastic DIP)

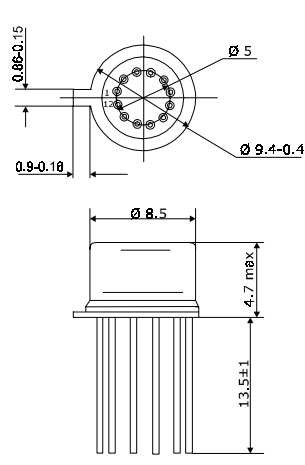


201.14-1(TO 116)

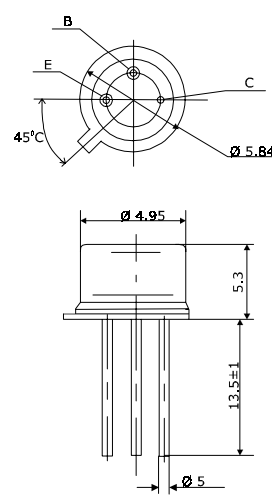




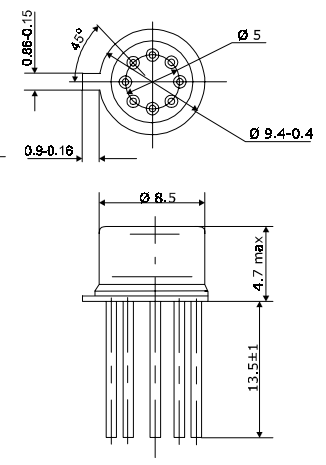
TO 39



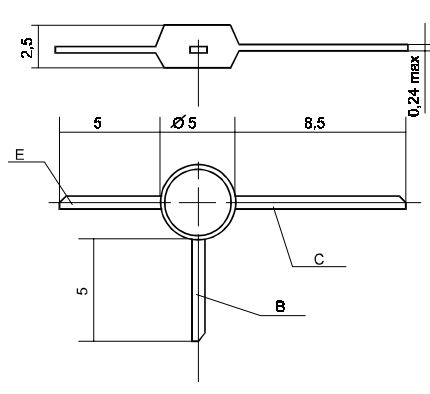
3107.12-1 (TO 100)



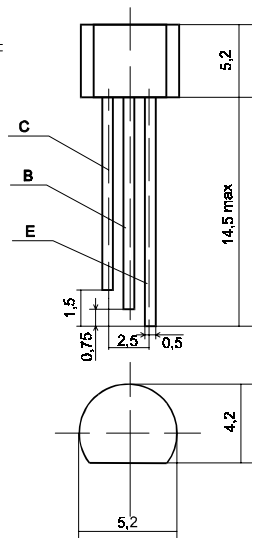
KT-1-7 (TO 18)



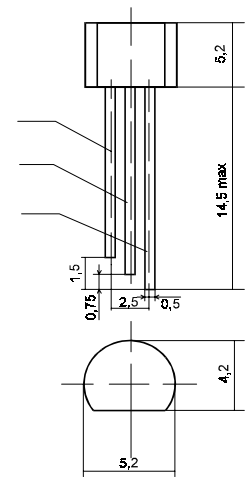
3101.8-1 (TO 99)



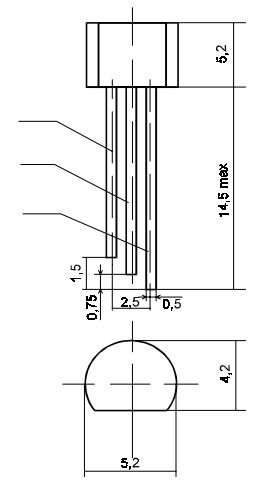
KT-29 (TO 50)



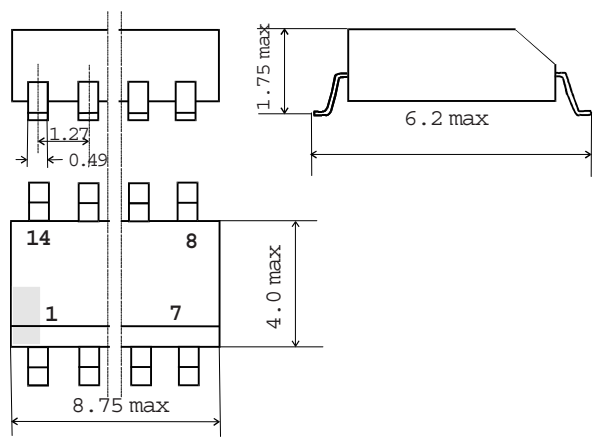
KT-26 (TO 92) Transistors



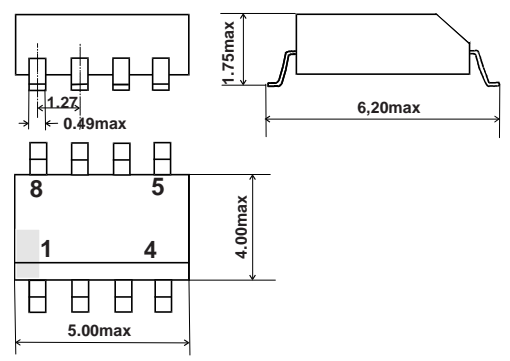
KT-26 (TO 92) LM79LXX



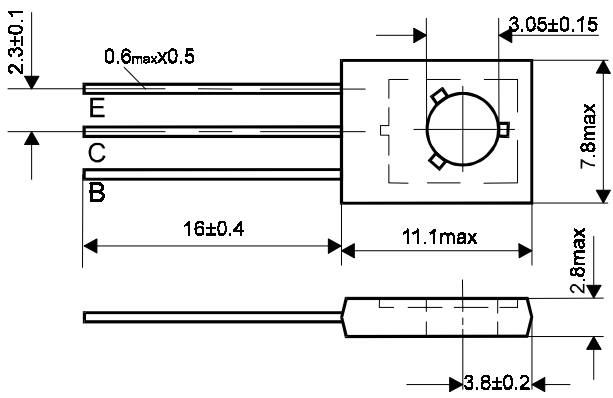
KT-26 (TO 92) LM78LXX



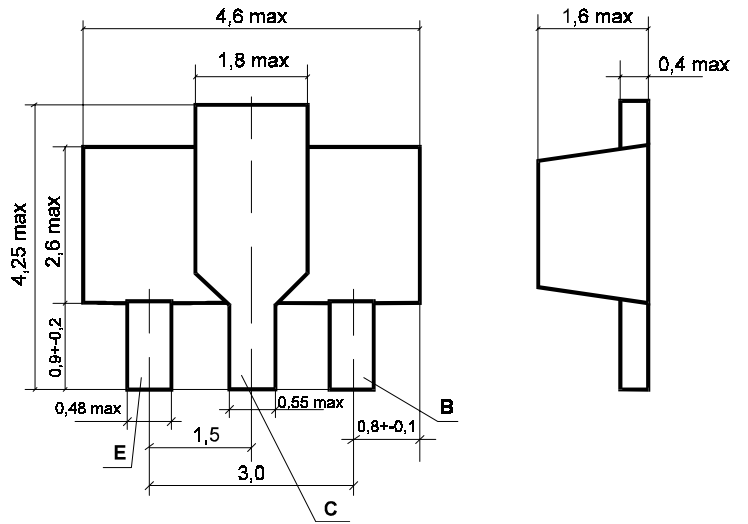
14-lead plastic SO



8-lead plastic SO



KT-27-2(TO 126)



SOT 89